

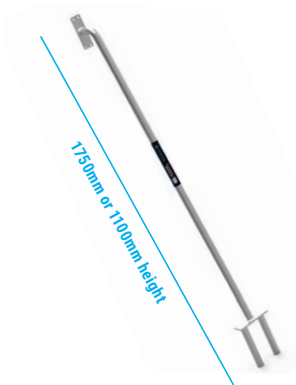
COMPONENTS



LOMAX STANDARD COUNTERWEIGHT (HOARDING AND FENCING APPLICATIONS)

- 90x45mm (4x2) recess designed to receive either a vertical hoarding timber stud or a fencing support post
- Integrated metal plates to retain either the timber stud or the fencing support post
- 32mm OD holes to receive hoarding support posts or fencing panels
- Horizontal track to receive hoarding crossbeam support timbers
- Easy carry handles
- Interlocking shape for secure stacking
- 18Kg weight

HOARDING COMPONENTS



LOMAX SUPPORT POSTS - LARGE AND SMALL

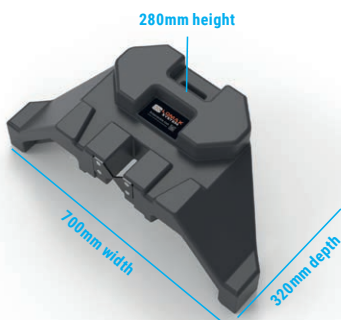
- 2 x 32mm OD guide-prongs to slide into Full Sized Counterweight
- Galvanised steel construction for strength and durability
- Easy to stack, store and transport
- 5Kg weight



LOMAX DOUBLE SUPPORT POSTS

- 4 x 32mm OD guide-prongs to slide into double stacked Full Sized Counterweights
- Galvanised steel construction for strength and durability
- Easy to stack, store and transport
- 9Kg weight

FENCING COMPONENTS



LOMAX SADDLE COUNTERWEIGHT

- 90x45mm (4x2) recess designed to receive fencing support post
- Integrated metal plates to retain the fencing support post
- Easy carry handles
- Interlocking shape for secure stacking on top of the Standard Counterweight
- 30Kg weight



LOMAX FENCING SUPPORT POSTS

- 90x45mm (4x2) shaped base to fit into the recess in the Counterweights
- Integrated panel clamp (separate loose clamp not required)
- Galvanised steel construction for strength and durability
- Easy to stack, store and transport
- 5Kg weight